

Compare and you will choose  
Burton's AIM-200® OR



**burton®**  
Luxo Medical Products

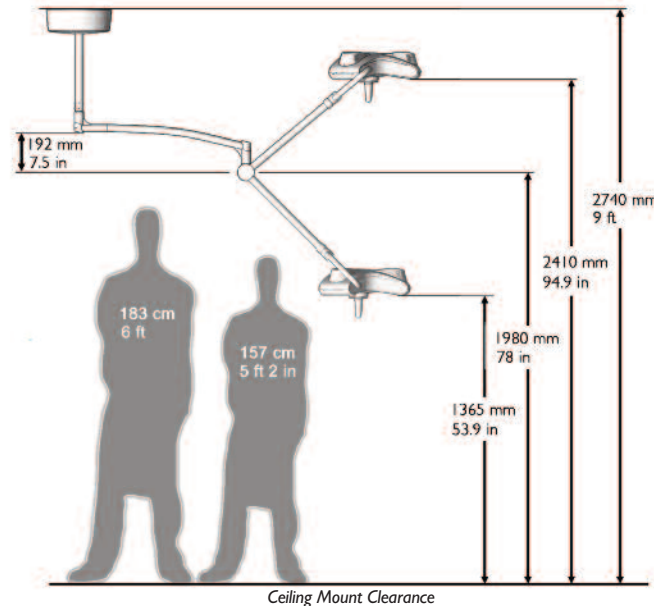
**TECHNICAL SPECIFICATIONS:**

<b>Illuminance:</b> *	90,000 Lux (8,300 FC) at 1 meter (39.37 in.)
<b>Color Temperature:</b>	3700 K
<b>CRI:</b>	96
<b>Diameter of Lighthead:</b>	51 cm (20 in.)
<b>Light Field Diameter:</b>	25 cm - 30 cm (10 in. - 12 in.)
<b>Depth of Illumination:</b>	119 cm (47 in.)
<b>Focusing:</b>	Adjustable by rotating center handle
<b>Number of Bulbs:</b>	3
<b>Light Sources (Halogen):</b>	35 W IRC, 12 volt, bi-pin
<b>Rated Life of Halogen Lamp:</b>	1,400 hours
<b>Swivel Radius of Lamp Housing-Ceiling Mounted:**</b>	152 cm (60 in.) max.
<b>Height Movement of Lamp Housing-Ceiling Mounted:</b>	104 cm (41 in.) vertical movement
<b>Minimum Ceiling Height/Maximum Ceiling Height:</b>	2440 mm/3660 mm (8 ft./12 ft.)
<b>Power:</b>	105 Watts
<b>Certifications/Approvals:</b>	UL60601-1 / IEC 60601-1 / IEC 60601-1-2 / IEC 60601-2-41 MDD 93/42 EEC (CE Approved) CAN/CSA C22.2 601-1 M90
<b>Total Weight:</b>	Floor version 15.9 kg (35 lbs.), single ceiling version 15.4 kg (34 lbs.)
<b>Seismic Calculations Available:</b>	Yes
<b>Product Warranty:</b>	5-year limited warranty
<b>Origin:</b>	Manufactured in the USA

\* The optical data are at nominal values based on measurements done according to the UL/IEC performance standards at 120V \*\* With extension arm and spring arm extended



**FLOORSTAND BASE**  
The AIM-200® OR ergonomic base design allows for convenient positioning in any setting. This base offers an easy-access footswitch and built-in casters with locking mechanism on back casters.



MODELS		
115V	230V	
A200FL	A203FL	AIM-200® OR Floorstand
A200SC	A203SC	AIM-200® OR Single Ceiling
A200DC	A203DC	AIM-200® OR Double Ceiling
A200W	A203W	AIM-200® OR Wall

ACCESSORIES	
1017111PK	Set of 3 AIM-200® OR Replacement Bulbs
1017040	Sterilizable Handle
0008100PK	Set of 25 Disposable Handle Covers

Product specifications may be modified by manufacturer at anytime. For reference only.



# AIM-200® OR

PERFORMANCE RELIABILITY VALUE

**The Physician's Resource**  
for Medical Equipment, Inc.  
Sales and Service of Cardiology and Surgical Equipment and Supplies



Burton inquired and listened to the illumination needs of surgeons worldwide and in response designed the most versatile surgical light on the market today.

*The Right Light*

**MAJOR SURGERY**

**burton®**  
Luxo Medical Products

**The Right Light**



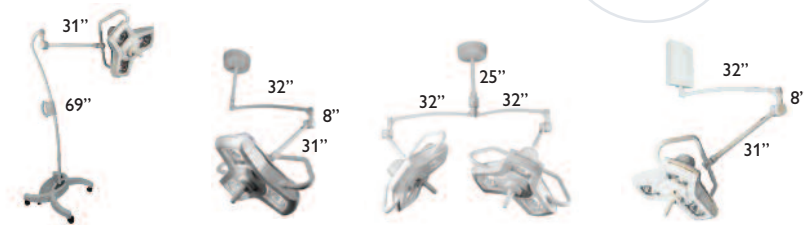
# AIM-200<sup>®</sup> OR

The right light for Operating Room procedures.

Burton's new AIM-200<sup>®</sup> OR provides versatility, amazing illumination, unparalleled aesthetics and many more features that make it the right light for any procedure. With a Color Rendering Index (CRI) of 96, 90,000 Lux at 1 meter, and a color temperature of 3700 Kelvin, the AIM-200<sup>®</sup> OR enhances your vision by allowing a true rendition of colors. This light is ideal for long hours of use with three cool 35-watt IRC halogen bulbs – each rated with a 1400-hour average bulb life.

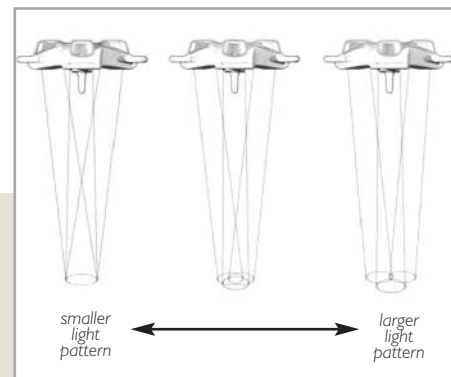
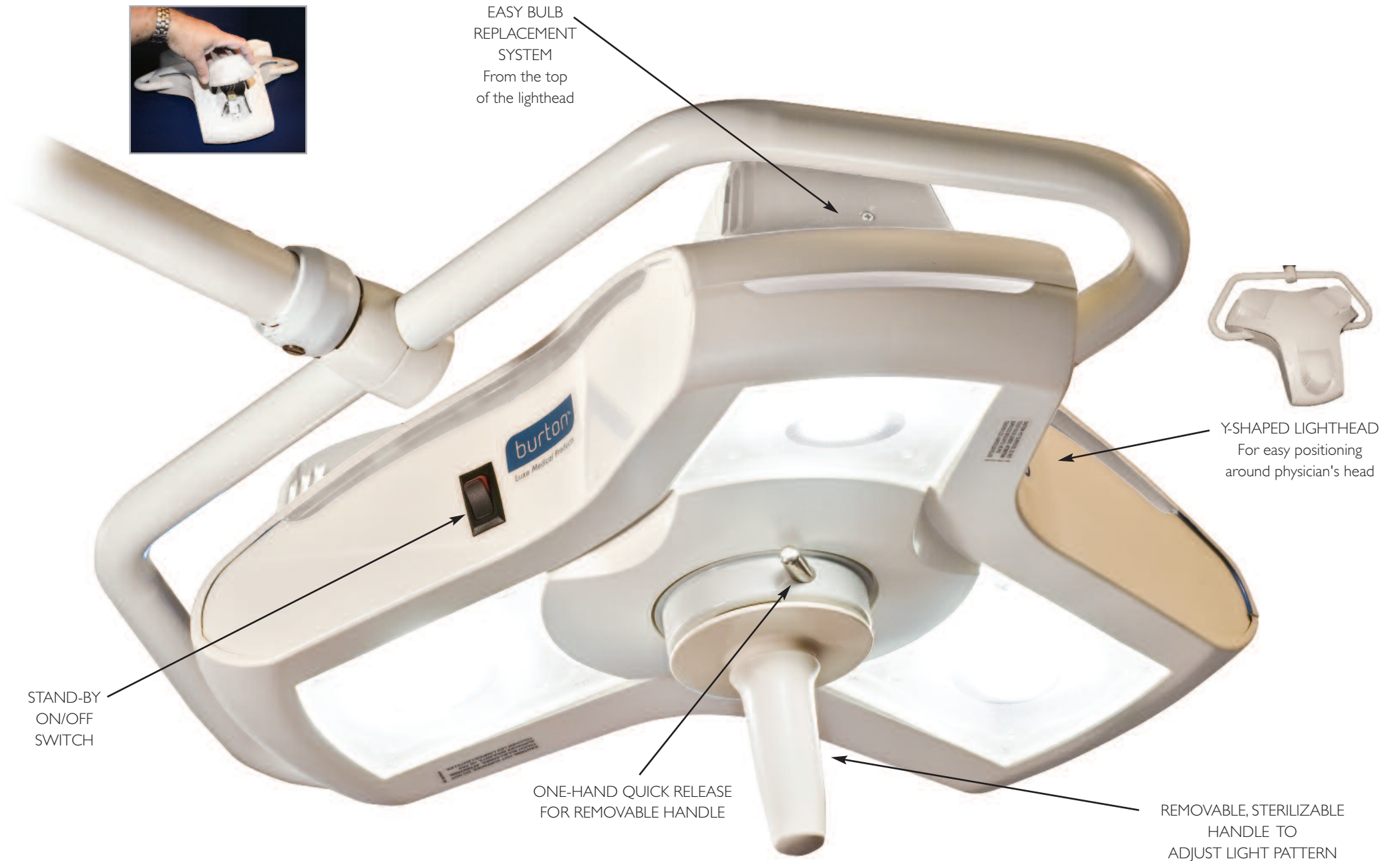
The AIM-200<sup>®</sup> OR is the first Operating Room light that has floor, wall, single- and double-ceiling mountings available. With its' 360° limitless arm-and-mounting-system-rotation around the vertical axes on the single ceiling models, the AIM-200<sup>®</sup> OR is the most versatile and practical light for the Operating Room environment.

Supported by an industry-leading 5-year limited warranty, AIM-200<sup>®</sup> OR exceeds customers' expectations!



Floorstand    Single Ceiling    Double Ceiling    Wall Mount

AIM-200<sup>®</sup> OR is available in the following models; Floorstand, Single Ceiling, Double Ceiling, and Wall Mount to meet different needs and installation requirements.



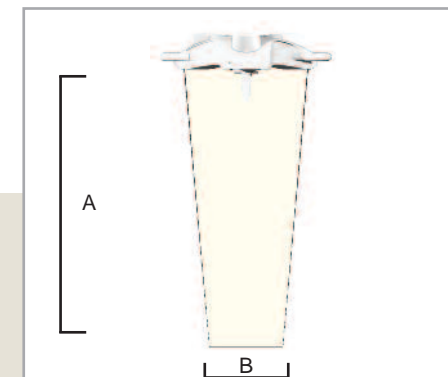
Larger and Adjustable Light Pattern

The multiple reflectors of the AIM-200<sup>®</sup> OR can be tilted by rotating the sterilizable light handle to adjust the size and pattern of the light to the working area.



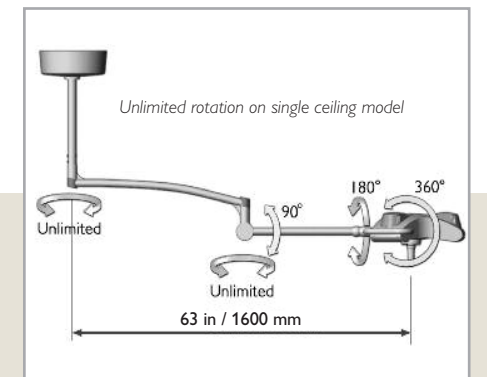
Light Pattern Free of Cast Shadows

The AIM-200<sup>®</sup> OR has a unique Y-Shaped design, which facilitates placement of the lighthead around the physician's head minimizing the obstruction of light into the surgical field.



Depth of Field / Beam Diameter

		cm	in
A	Depth of Field	119	47
B	Beam Diameter D10	25	10



Unlimited Rotation and Maximum Reach

The AIM-200<sup>®</sup> OR's 360° limitless arm-and-mounting-system-rotation around vertical axes on single ceiling models is a key feature previously available only on more expensive O.R. lights. The arm system also provides a maximum reach of 63 inches and diameter of 10 feet, allowing it to illuminate the patient from head to toe with no drift.