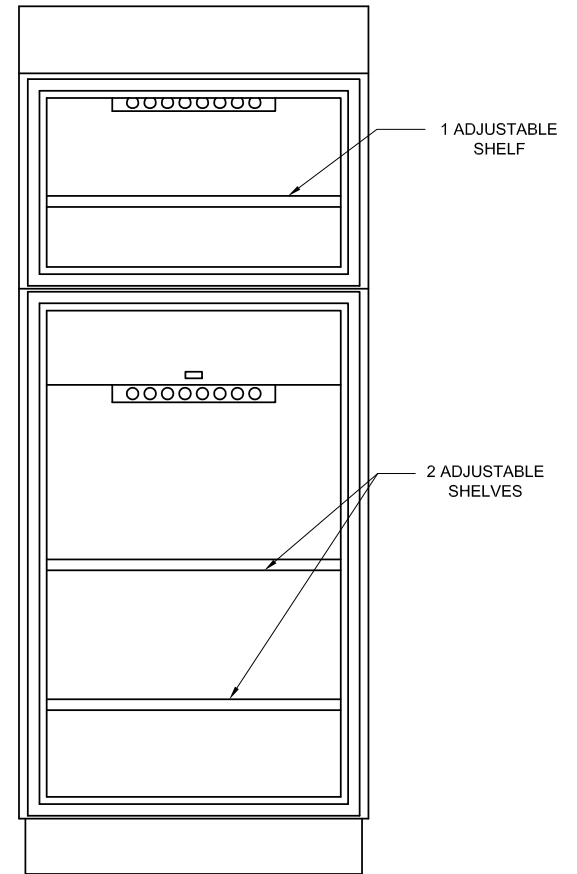
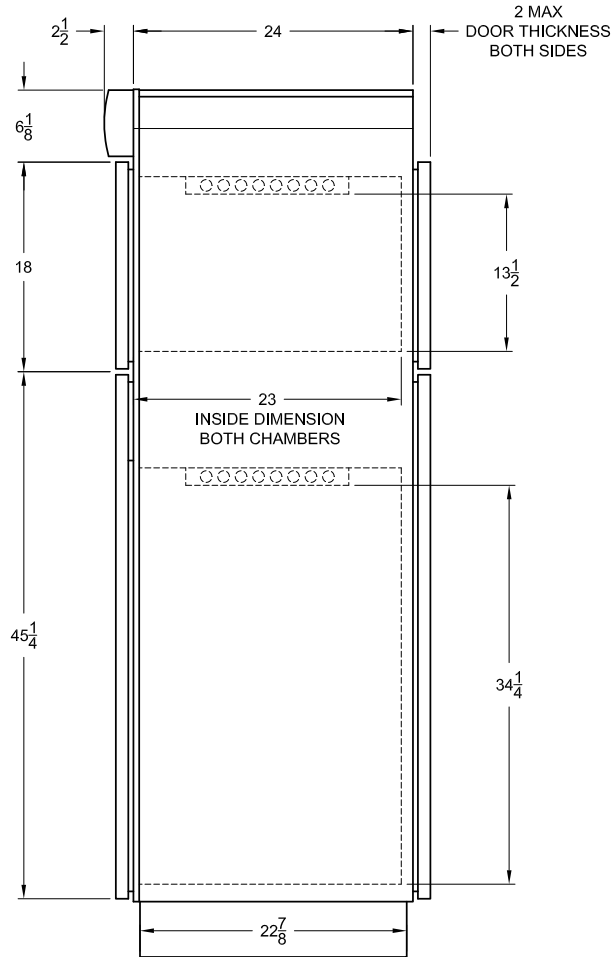
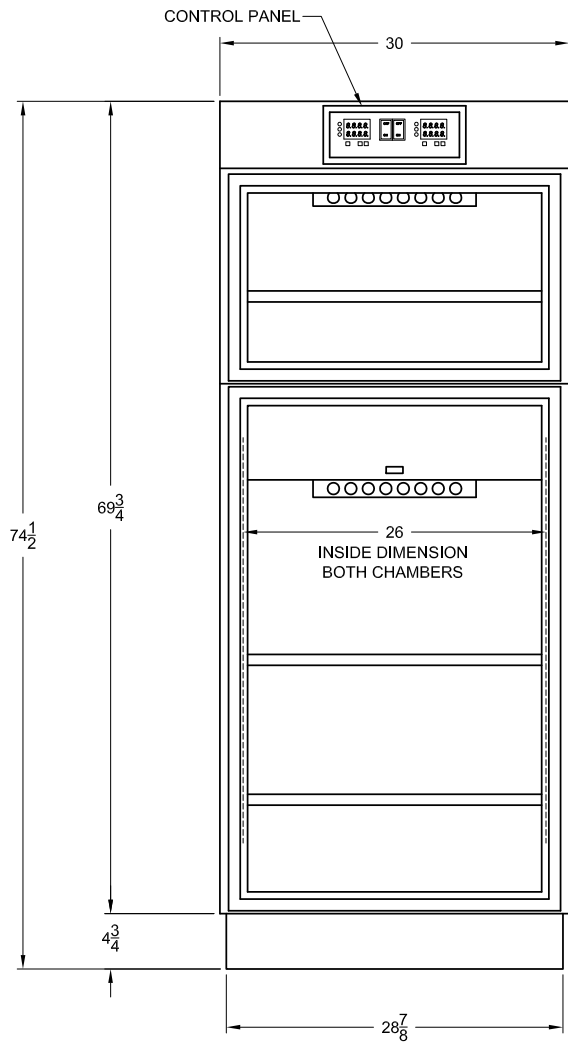


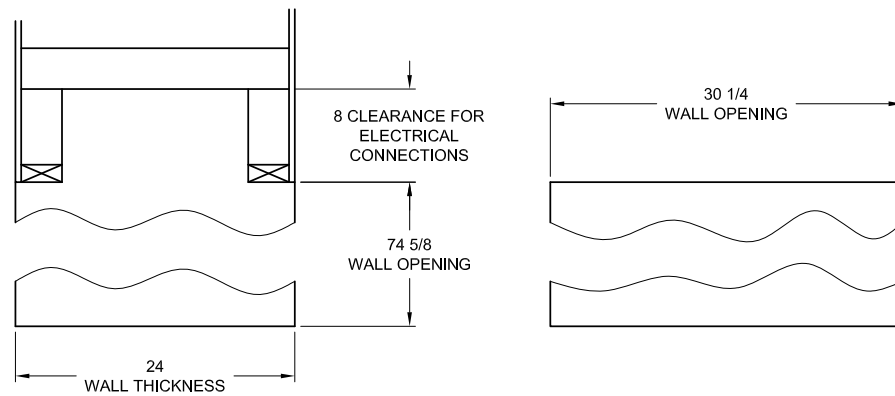
DUAL CHAMBER WARMING CABINET

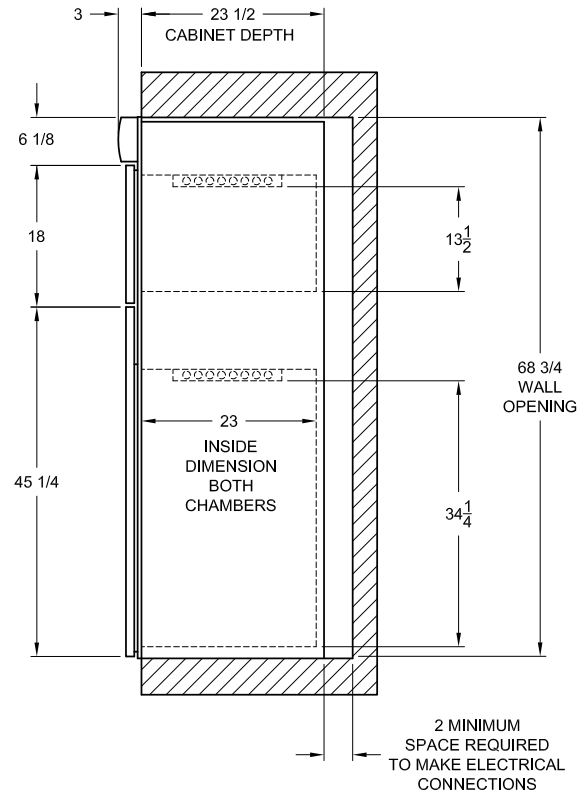
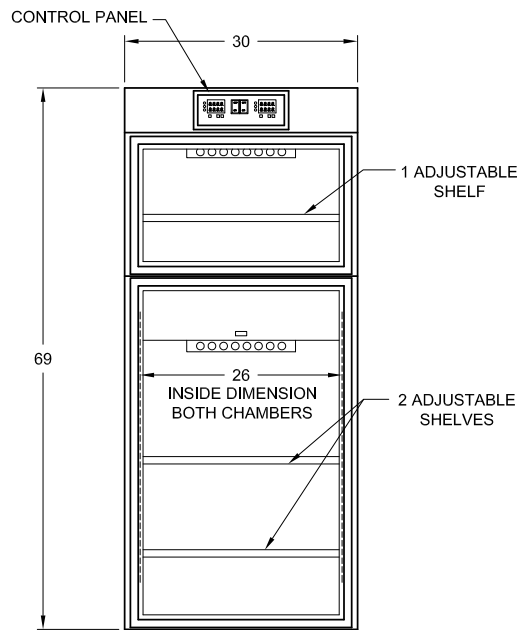
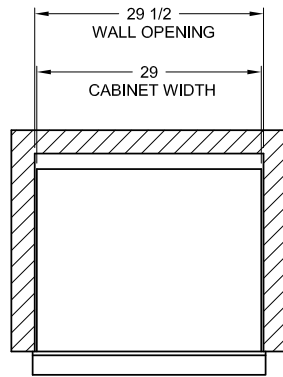
DWC24





DUAL CHAMBER PASS THRU
WARMING CABINET
DWC24-PT

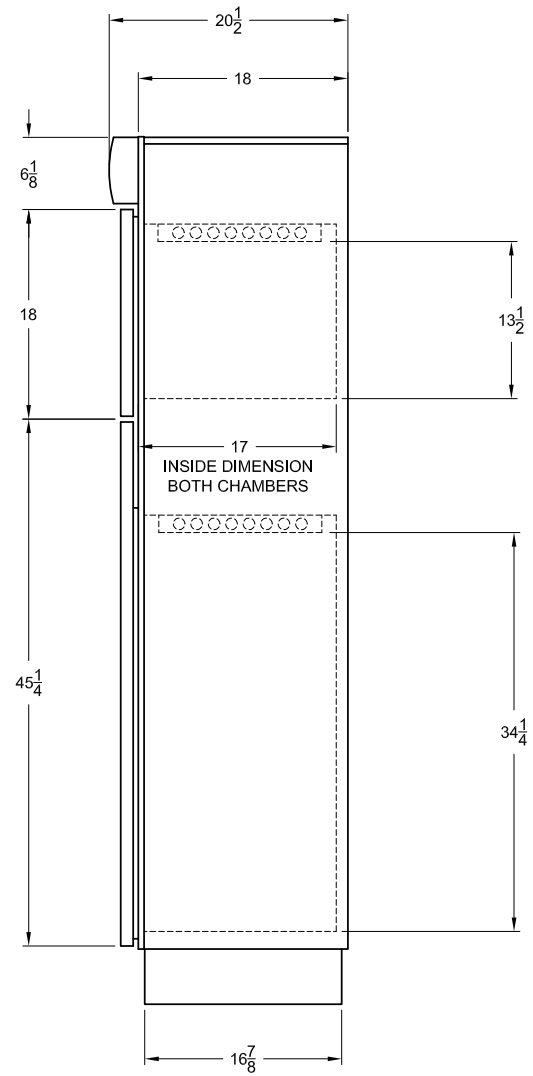
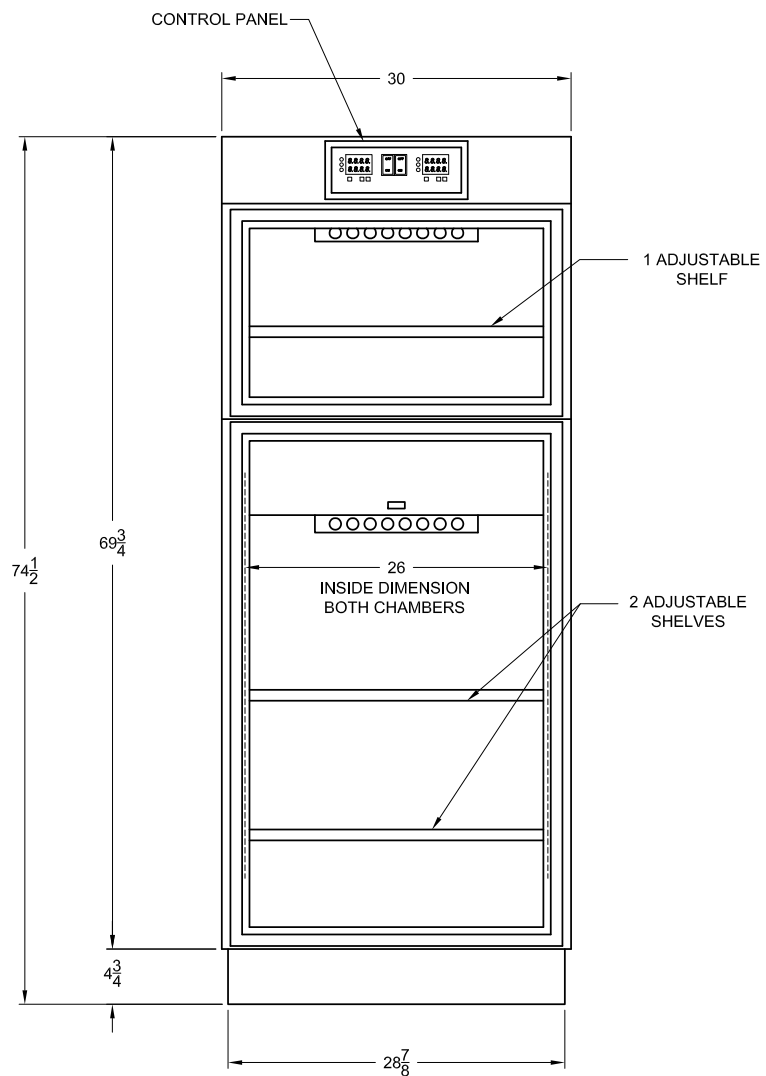




 **The Physician's Resource**
for Medical Equipment, Inc.
Sales and Service of Cardiology and Surgical Equipment and Supplies

**DUAL CHAMBER WARMING CABINET
WALL RECESSED
DWC24-R**

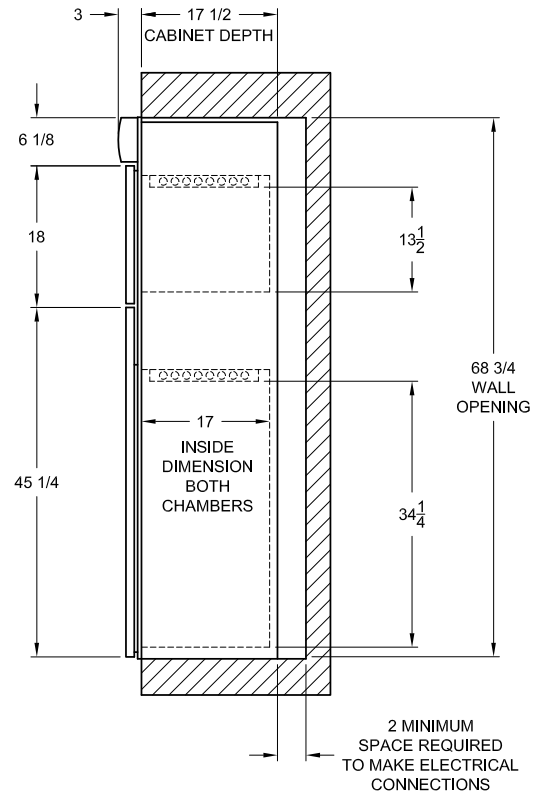
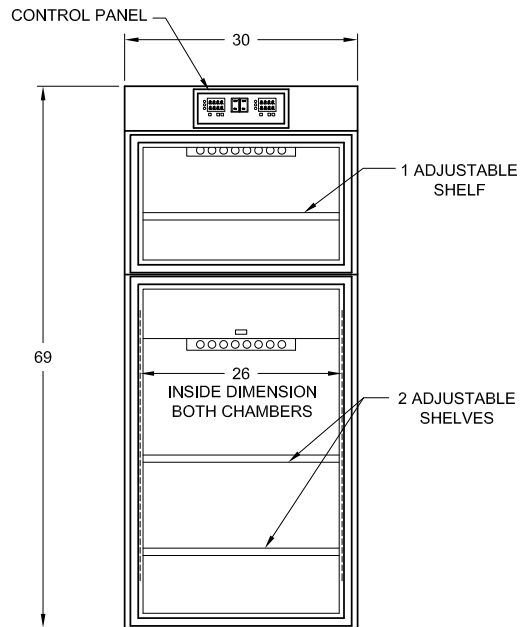
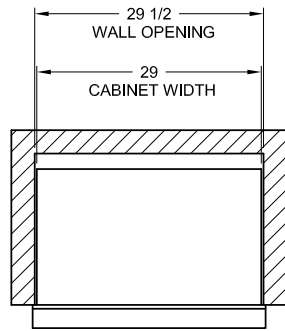




The Physician's Resource
for Medical Equipment, Inc.
Sales and Service of Cardiology and Surgical Equipment and Supplies

DUAL CHAMBER WARMING CABINET
DWC24-18





The Physician's Resource
for Medical Equipment, Inc.

Sales and Service of Cardiology and Surgical Equipment and Supplies

**DUAL CHAMBER WARMING CABINET
WALL RECESSED
DWC24-18-R**

