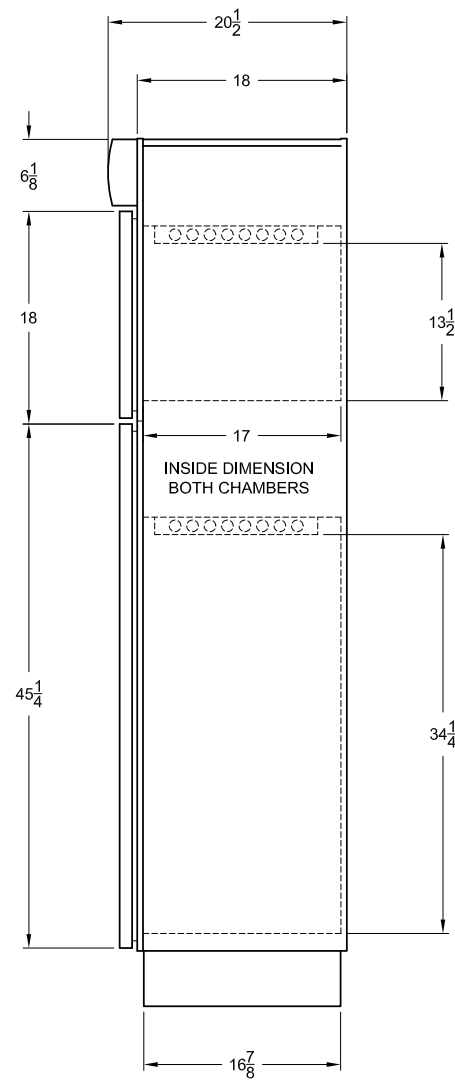
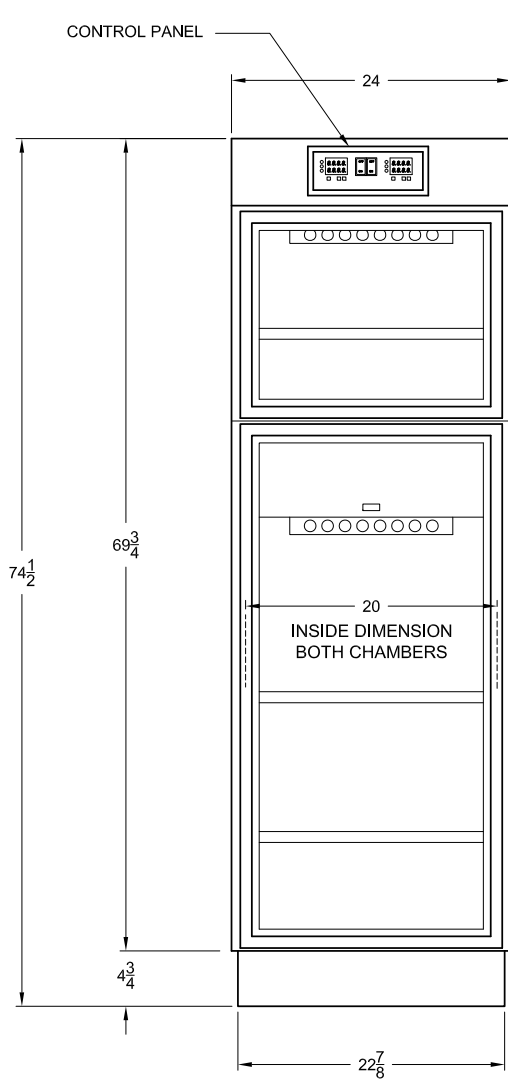


 **The Physician's Resource**
for Medical Equipment, Inc.
Sales and Service of Cardiology and Surgical Equipment and Supplies

DUAL CHAMBER WARMING CABINET
DWC2424





DUAL CHAMBER WARMING CABINET
DWC2424-18

 **The Physician's Resource**
for Medical Equipment, Inc.
Sales and Service of Cardiology and Surgical Equipment and Supplies

