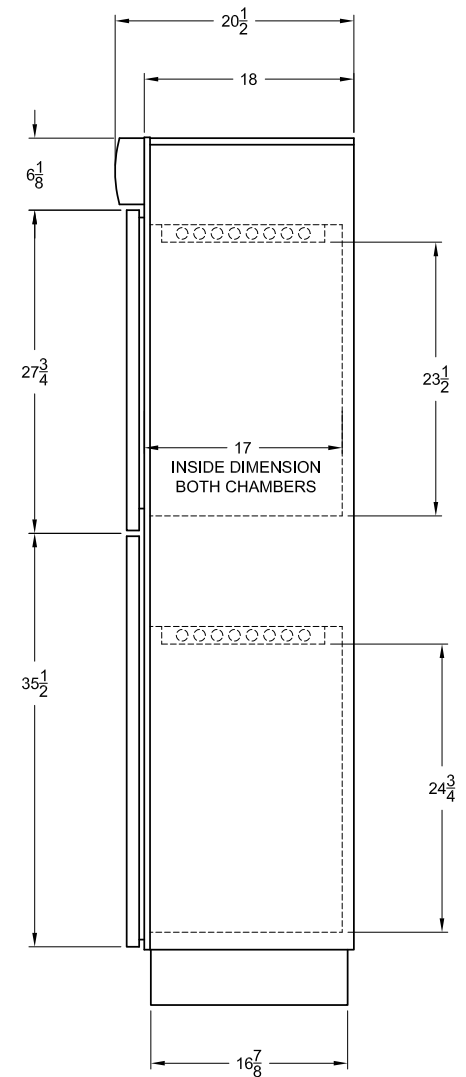
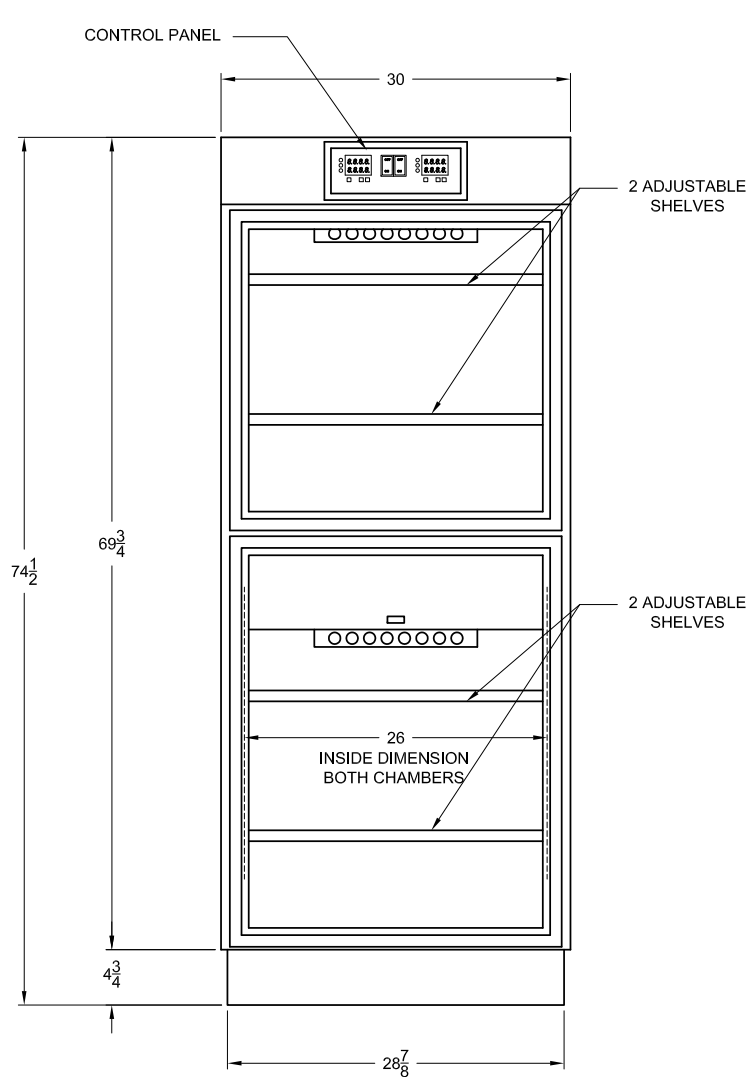


**The Physician's Resource**  
for Medical Equipment, Inc.  
Sales and Service of Cardiology and Surgical Equipment and Supplies

DUAL CHAMBER WARMING CABINET  
DWC36





**The Physician's Resource**  
 for Medical Equipment, Inc.  
 Sales and Service of Cardiology and Surgical Equipment and Supplies

DUAL CHAMBER WARMING CABINET  
 DWC36-18

