

# Accutorr<sup>®</sup>7

## Specifications

### Interfacing

Connectors: Network port  
2 USB ports  
Multifunctional port

### Battery

Type: Rechargeable lithium ion  
Run Time: Up to 8 hours when powered by a new fully-charged battery at 77°F±41°F (25°C±5°C) with SpO<sub>2</sub> and NIBP measurements at an interval of 15 minutes.

### Charge Time

Monitor Power Off: Less than 5.5 hours to 90%;  
Less than 6.5 hours to 100%  
Monitor Power On: Less than 10.5 hours to 90%;  
Less than 11.5 hours to 100%

### Physical Dimensions

Monitor Size: 10.2" (H) x 6.9" (W) x 6.9" (D)  
25.9 cm (H) x 17.5 cm (W) x 17.5 cm (D)  
Monitor Weight: <5.5 lbs (<2.5 kg) including battery

### Environmental Conditions

Operating Temperature: 0°C to 40°C (SmarTemp™: 5°C to 40°C)  
Operating Humidity: 15% to 95%, non-condensing  
Barometric: 427.5 to 805.5 mmHg (57.0 to 107.4 kPa)

### Power Requirements

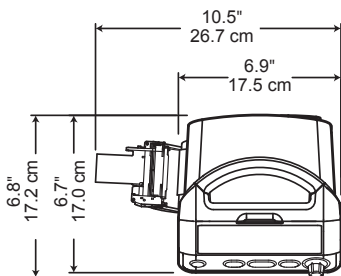
100 to 240 VAC, 0.9 to 0.5 A, 50/60 Hz

### Safety

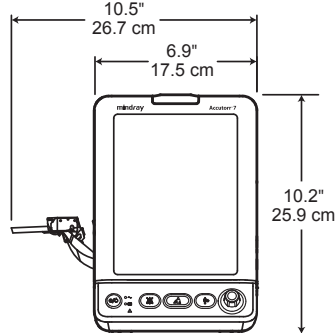
Type of Protection: Meets the requirements of IEC 60601 series



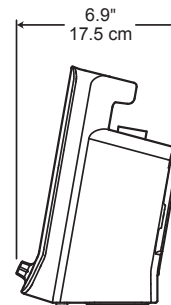
Top



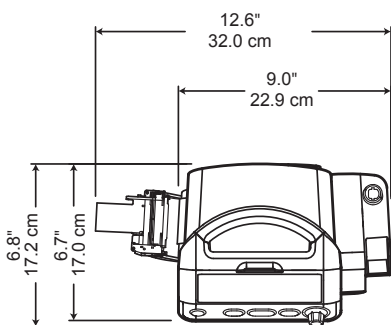
Front



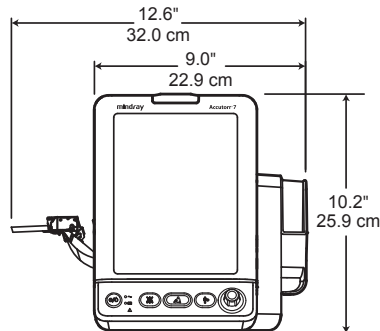
Side



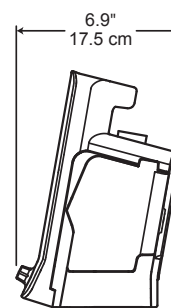
Top with Temperature



Front with Temperature



Side with Temperature



# Accutorr<sup>®</sup> 7

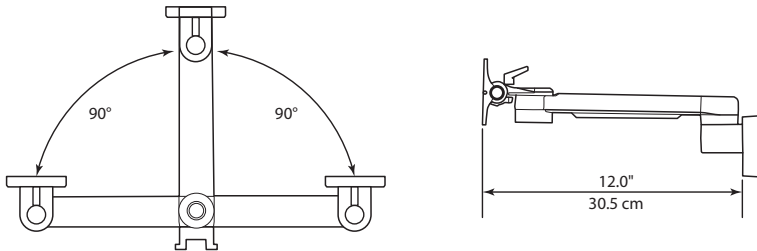
## Specifications

### Mounting Solutions

#### Pivot Arm Wall Mount

Moment Load: 60 lbs (27.2 kg)

Lateral Range of Motion

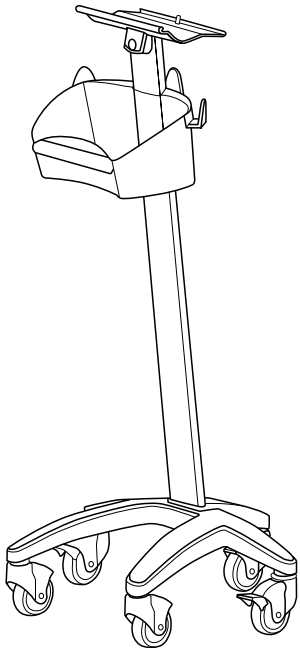


### Rolling Stand

Dimension: 47" (H) x 27" (W) x 27" (D)  
119.4 cm (H) x 68.6 cm (W) x 68.6 cm (D)

Moment Load: 35 lbs (15.9 kg)

Max Head Tilt: 10 degrees



 **The Physician's Resource**  
for Medical Equipment, Inc.

Sales and Service of Cardiology and Surgical Equipment and Supplies

[www.physiciansresource.net](http://www.physiciansresource.net)

Toll Free 1-800-866-6689

Mindray DS USA, Inc.

800 MacArthur Blvd., Mahwah, NJ 07430

Tel: 800.288.2121 Tel: 201.995.8000 Fax: 800.926.4275 [www.mindray.com](http://www.mindray.com)

©2014 Mindray DS USA, Inc.

Mindray<sup>®</sup> is a registered trademark of Shenzhen Mindray Bio-Medical Electronics Co., Ltd.

01/15 P/N: 0002-08-6382 Rev B

**mindray**  
NORTH AMERICA