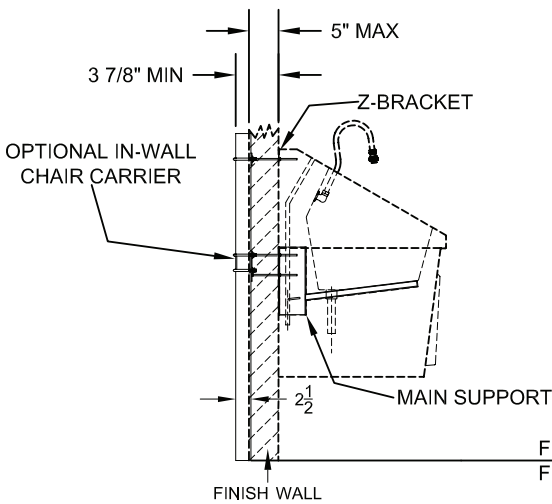
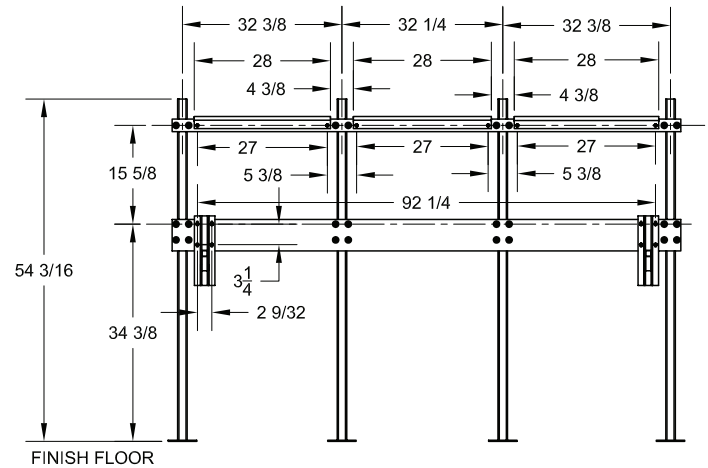
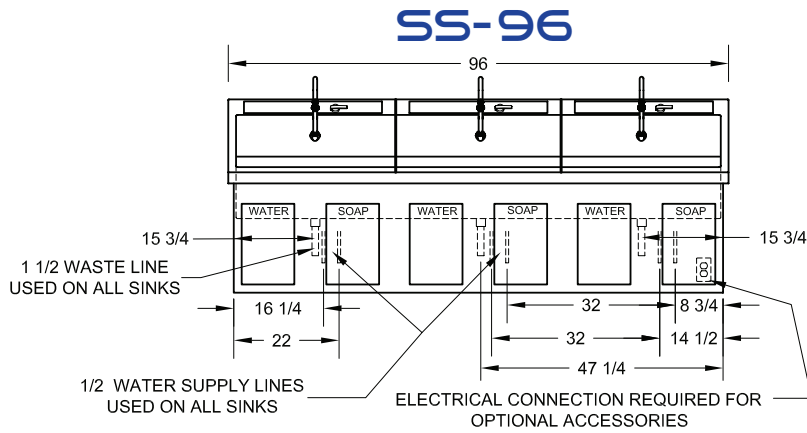


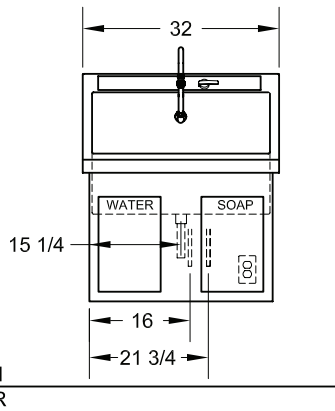
SURGICAL SCRUB SINKS

SS SERIES SPECS & DIMENSIONS

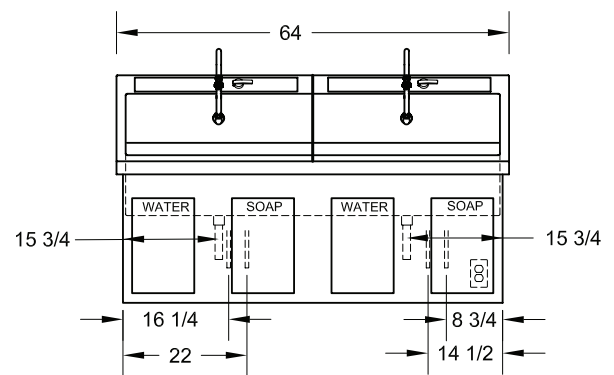
SS-96



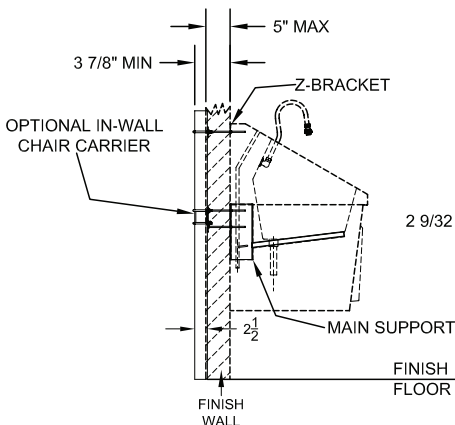
SS-32



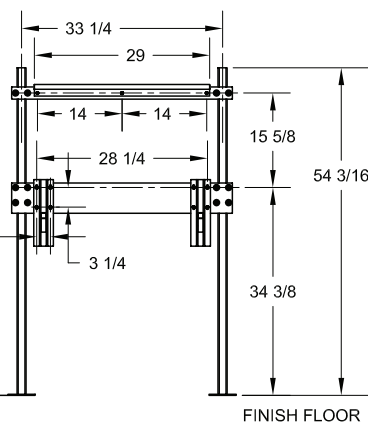
SS-64



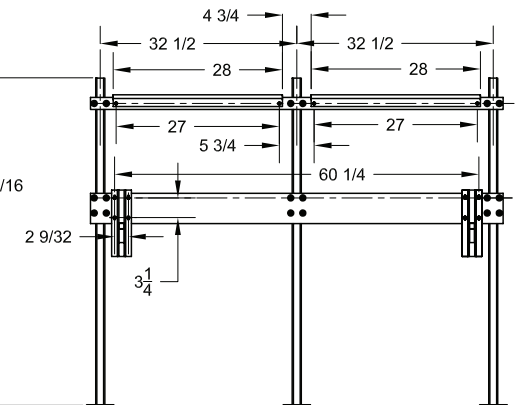
Z-BRACKETS AND MAIN SUPPORT SUPPLIED WITH SINK
IN-WALL CHAIR CARRIER (OPTIONAL)



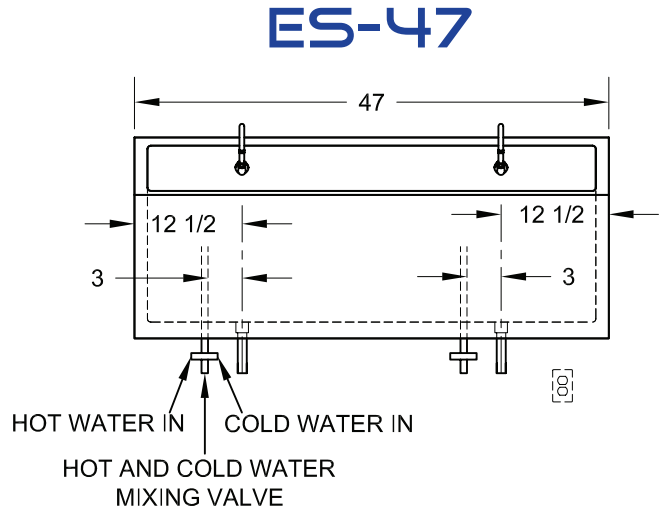
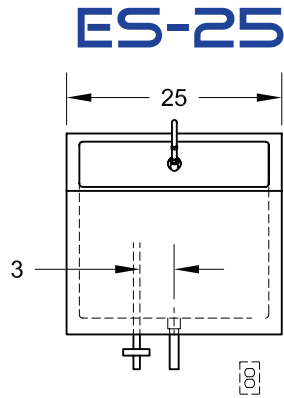
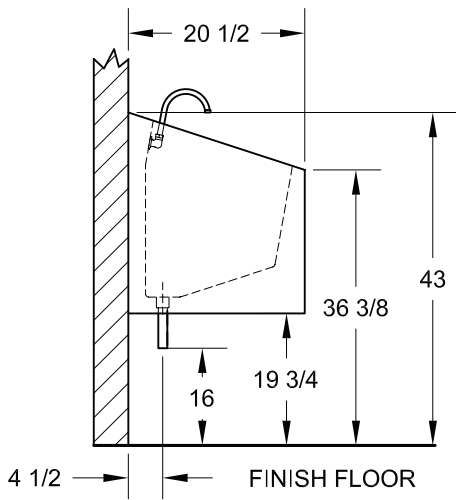
SS-32



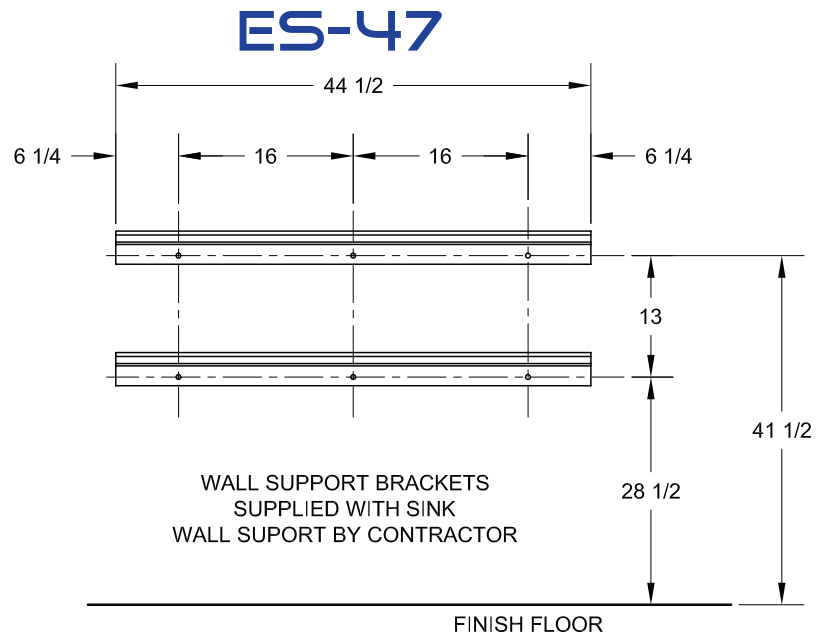
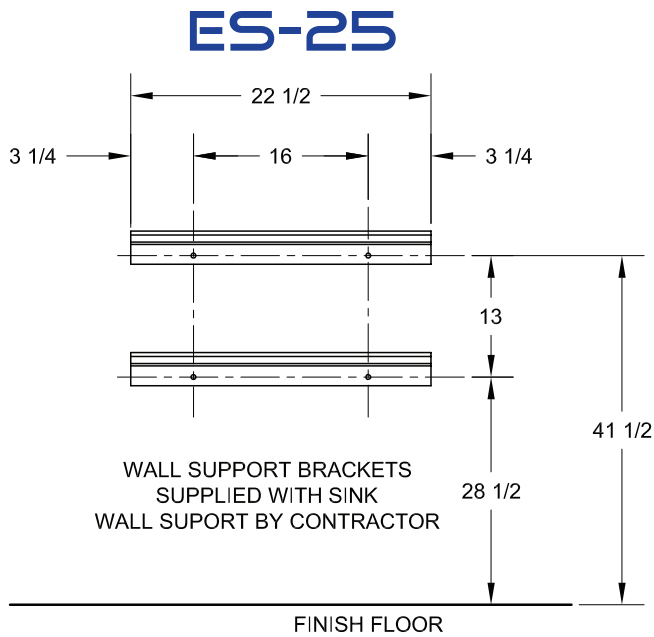
SS-64



ES SERIES SPECS & DIMENSIONS



CALIFORNIA OSHPOD ANCHORAGE PREAPPROVAL
(FOR WALL MOUNT ONLY)



CALIFORNIA OSHPOD ANCHORAGE PREAPPROVAL
(FOR WALL MOUNT ONLY)