

# WAVE™ PLUS

*A larger viewing area and 30% more intensity than conventional magnifier-type lights!*

The Wave™ Plus has a new sleek design to complement your office decor. Its unique, powerful 3.5 diopter magnifier is superior in both form and function. Plus, two independent fluorescent light bulbs offer 30% more intensity and enhance optical performance for your exams and surgical procedures. The Wave™ Plus is now available in UV version for a variety of diagnostic applications.



PERFORMANCE RELIABILITY VALUE



Healthcare professionals prefer Wave™ Plus' large rectangular magnifier, which provides an optimal viewing area.

*The Right Light*

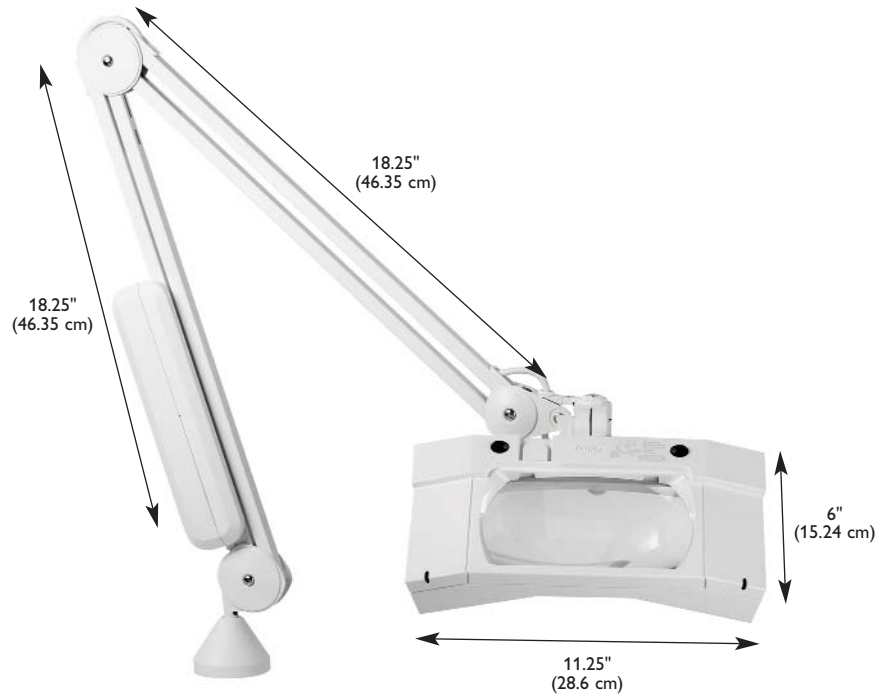
**MAGNIFIERS**

# WAVE™ PLUS

*A larger viewing area and 30% more intensity than conventional magnifier-type lights!*

## WAVE™ PLUS FEATURES:

- > Superior optics; 3.5 diopter fluorescent magnifier with 13" focal length
- > Extremely bright; 2 independent 13-watt fluorescent bulb sources with 10,000-hour average bulb life
- > 4100° Kelvin color temperature
- > 41" (105cm) Articulating Arm (K-Arm)
- > 6 1/2" (17cm) x 4" (10cm) lens
- > "Quick-start" switch and ballast to activate bulbs
- > New 'no drift' arm allows complete freedom of movement
- > Also available in UV version with black housing
- > Available in floorstand and table/wall models
- > 5-year warranty



| MODELS: |         |   |
|---------|---------|---|
| 115V    | 230V    |   |
| #WM50FL | #WM52FL | Wave™ Plus Floorstand on Mobile Base (casters included) |
| #WM50W  | #WM52W  | Wave™ Plus Wall/Table Mount                             |
| #WM60FL | #WM62FL | Wave™ UV Floorstand on Mobile Base (casters included)   |
| #WM60W  | #WM62W  | Wave™ UV Wall/Table Mount                               |



ALSO AVAILABLE:  
Wave™ UV Mobile Floorstand and Wall/Table Mount models



| ACCESSORIES:   |  |
|----------------|--|
| #0009700PK     | Set of (4) 13-watt replacement bulbs, 115V |
| #0009310PK     | Set of (4) 7-watt replacement bulbs, 230V  |
| #06-800-140-00 | 4 Diopter lens attachment                  |
| #06-800-130-00 | 8 Diopter lens attachment                  |
| #06-800-120-00 | 10 Diopter lens attachment                 |

**The Physician's Resource**  
for Medical Equipment, Inc.

Sales and Service of Cardiology and Surgical Equipment and Supplies